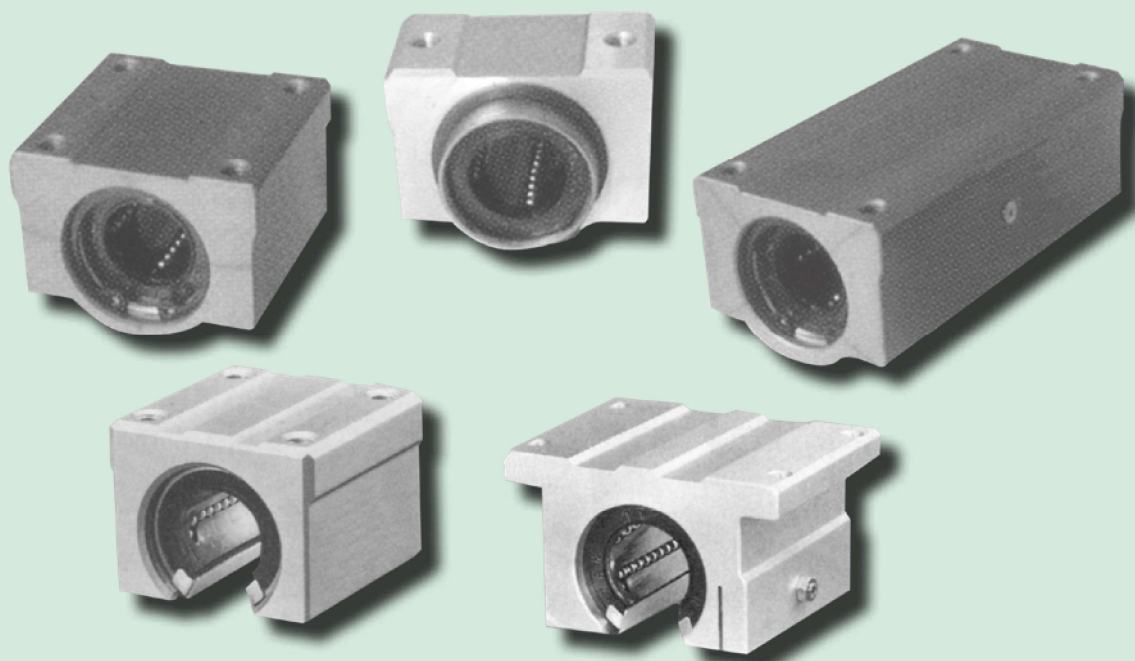


# SUPPORTI PER MANICOTTI A SFERA

## *SUPPORTS FOR LINEAR BEARINGS*



## 1. SUPPORTI IN LEGA DI ALLUMINIO

I supporti ISB si suddividono in:

### **Serie normale:**

- standard (SC)
- corti (SCV)
- lunghi (SCW)

### **Serie aperta:**

- non flangiati (SBR)
- flangiati (TBR)

### **Tutti possono essere forniti con:**

- anelli di tenuta in entrambi i lati (suffisso - UU)
- senza anelli di tenuta (nessun suffisso).

## 1. ALUMINIUM ALLOY SUPPORTS

ISB linear supports can be divided into:

### **Normal series:**

- *standard* (SC)
- *short* (SCV)
- *long* (SCW)

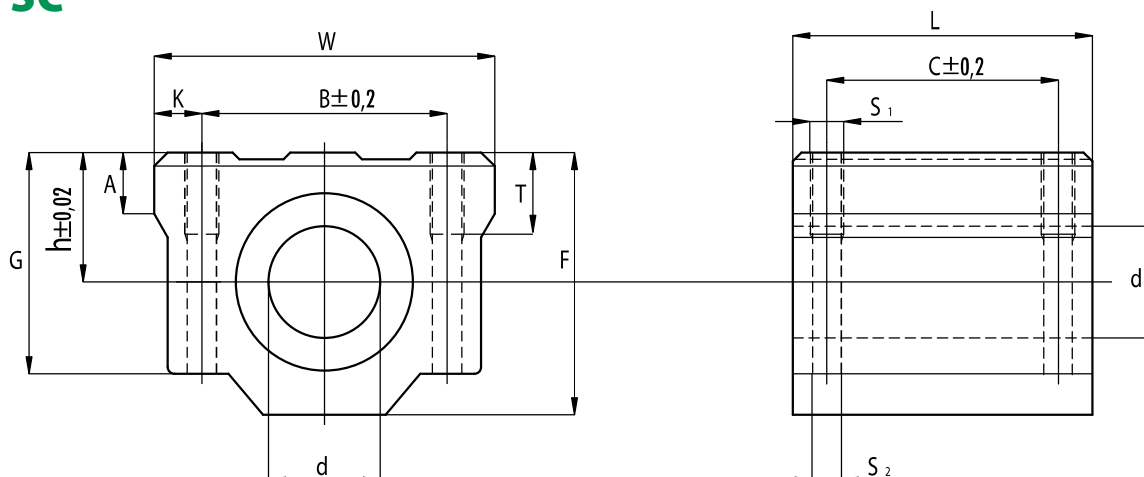
### **Open series:**

- *not flanged* (SBR)
- *flanged* (TBR)

### **They can be supplied with:**

- *seals on both sides (suffix – UU)*
- *without seals (no suffix).*

SC



Tipologia Type	Peso Weight [kg]	d [mm]	W [mm]	F [mm]	L [mm]	h [mm]	G [mm]	T [mm]	A [mm]	B [mm]	C [mm]	K [mm]	S <sub>1</sub> [mm]	S <sub>2</sub> [mm]	Capacità di Carico Load capacity rating [N]	
															C	C <sub>0</sub>
SC 08	0.056	8	34	22	30	11	18	6	5	24	18	5	M 4	3.4	280	400
SC 10	0.090	10	40	26	35	13	21	8	6	28	21	6	M 5	4.3	380	560
SC 12	0.112	12	44	30	36	15	25	12	8	33	26	5.75	M 5	4.3	420	610
SC 13	0.123	13	44	30	39	15	24.5	8	5.5	33	26	5.5	M 5	4.3	520	800
SC 16	0.189	16	50	38.5	44	19	32.5	9	7	36	34	7	M 5	4.3	790	1200
SC 20	0.237	20	54	41	53	21	35	11	7	40	40	7	M 6	5.2	900	1400
SC 25	0.555	25	76	51.5	67	26	42	12	11	54	50	11	M 8	6.8	1000	1600
SC 30	0.685	30	78	59.5	76	30	49	18	10	58	58	10	M 8	6.8	1600	2800
SC 35	1.100	35	90	68	80	34	54	18	10	70	60	10	M 8	6.8	1700	3200
SC 40	1.600	40	102	78	90	40	62	20	11	80	60	11	M 10	8.6	2200	4100
SC 50	3.350	50	122	102	110	52	80	25	11	100	80	11	M 10	8.6	3900	8100
SC 60	4.270	60	132	114	122	58	94	30	21	108	90	12	M 12	10.7	4800	10200

Sigla d'ordine:

SC - d - UU [tenute in entrambi i lati].

Sigla d'ordine:

SC - d [senza tenute].

SC - d - UU AS [tenute in entrambi i lati e foro di lubrificazione]

SC - d - AS [senza tenute, con foro di lubrificazione]

Esempio:

SC 20 UU AS [modello SC, diametro albero 20 mm, tenute in entrambi i lati, foro di lubrificazione].

Specification number:

SC - d - UU [seals on both sides].

Specification number:

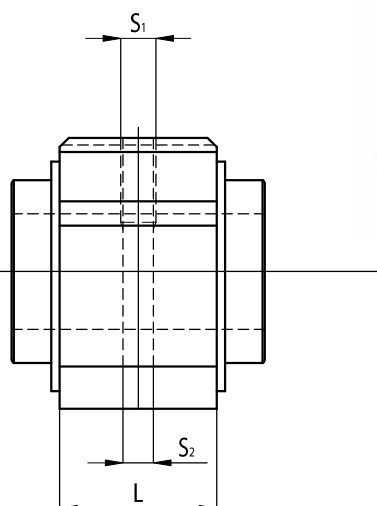
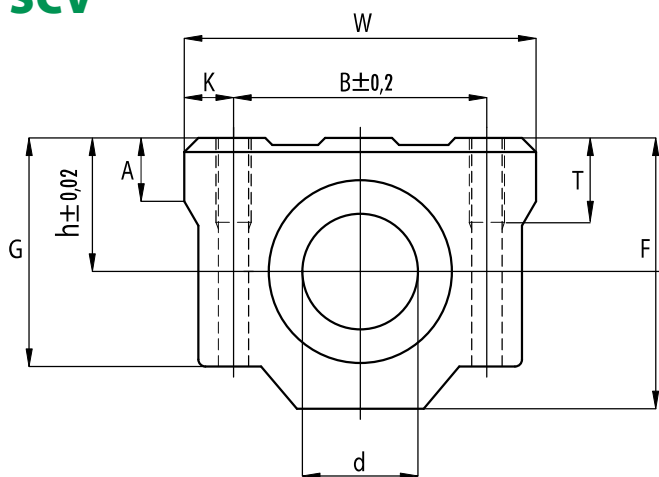
SC - d [without seals].

SC - d - UU AS [seals on both sides and oil hole].

SC - d - AS [without seals, with oil hole].

Example:

SC 20 UU AS [model SC, shaft diameter 20 mm, seals on both sides, with oil hole].

**SCV**


Tipologia Type	Peso Weight [kg]	d [mm]	W [mm]	F [mm]	L [mm]	h [mm]	G [mm]	T [mm]	B [mm]	A [mm]	K [mm]	S <sub>1</sub> [mm]	S <sub>2</sub> [mm]	Capacità di Carico Load capacity rating [N]	
														C	C <sub>0</sub>
<b>SCV 08</b>	0.025	8	34	22	15.4	11	18	6	24	6	5	M 4	3.4	274	392
<b>SCV 10</b>	0.092	10	40	26	19.5	13	21	8	28	6	6	M 5	4.3	380	560
<b>SCV 12</b>	0.065	12	44	30	20.5	15	24.5	12	33	8	5.5	M 5	4.3	510	784
<b>SCV 13</b>	0.120	13	44	30	20.5	15	24.5	8	33	5.5	5.5	M 5	4.3	520	800
<b>SCV 16</b>	0.100	16	50	38.5	23.5	19	32.5	9	36	9	7	M 5	4.3	774	1180
<b>SCV 20</b>	0.148	20	54	41	28.3	21	35	11	40	11	7	M 6	5.2	882	1370
<b>SCV 25</b>	0.368	25	76	51.5	40.4	26	42	12	54	12	11	M 8	7	980	1570
<b>SCV 30</b>	0.500	30	78	59.5	49.0	30	49	15	58	15	10	M 8	7	1574	2740
<b>SCV 35</b>	1.100	35	90	68	45.4	34	54	18	70	10	10	M 8	6.8	1700	3200
<b>SCV 40</b>	1.000	40	102	78	56.4	40	62	20	80	20	11	M 10	8.7	2160	4020
<b>SCV 50</b>	2.205	50	122	102	69.9	52	80	25	100	25	11	M 10	8.7	3820	7940

Sigla d'ordine:

SC - d - UU [tenute in entrambi i lati].

Sigla d'ordine:

SC - d [senza tenute].

SC - d - UU AS [tenute in entrambi i lati e foro di lubrificazione]

SC - d - AS [senza tenute, con foro di lubrificazione]

Esempio:

SC 20 UU AS [modello SC, diametro albero 20 mm, tenute in entrambi i lati, foro di lubrificazione].

Specification number:

SC - d - UU [seals on both sides].

Specification number:

SC - d [without seals].

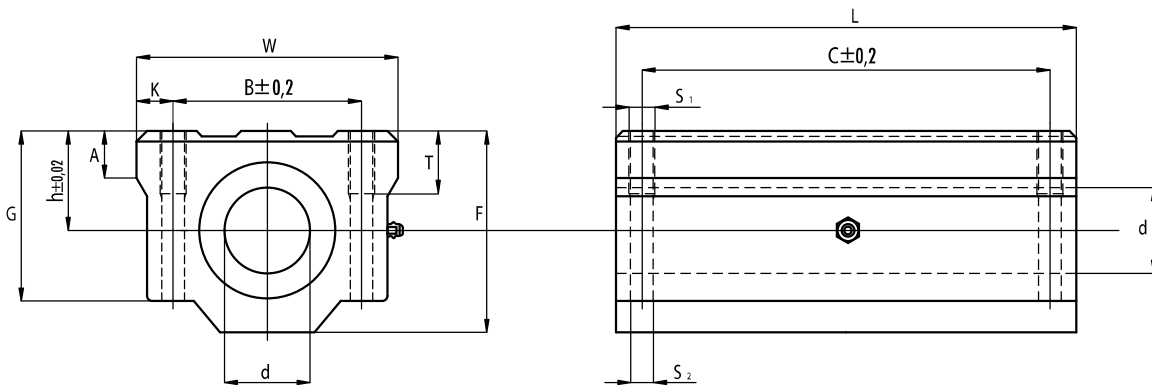
SC - d - UU AS [seals on both sides and oil hole].

SC - d - AS [without seals, with oil hole].

Example:

SC 20 UU AS [model SC, shaft diameter 20 mm, seals on both sides, with oil hole].

SCW



Tipologia Type	Peso Weight [kg]	d [mm]	W [mm]	F [mm]	L [mm]	h [mm]	G [mm]	A [mm]	T [mm]	B [mm]	C [mm]	K [mm]	S <sub>1</sub> [mm]	S <sub>2</sub> [mm]	Capacità di Carico Load capacity rating [N]	
															C	C <sub>0</sub>
SCW 08	0.102	8	34	22	58	11	18	6	8	24	42	5	M 4	3.4	440	800
SCW 10	0.106	10	40	26	68	13	21	8	10	28	46	6	M 5	4.3	600	1120
SCW 12	0.205	12	44	30	77	15	26	8	10	33	64	5.5	M 5	4.3	670	1200
SCW 16	0.400	16	50	38.5	89	19	35	9	12	36	79	7	M 5	4.3	1250	2400
SCW 20	0.570	20	54	42	106	21	36	11	12	40	90	7	M 6	5.2	1440	2800
SCW 25	1.200	25	76	51.5	136	26	41	12	18	54	119	11	M 8	6.8	1640	3200
SCW 30	1.480	30	78	59.5	154	30	49	15	18	58	132	10	M 8	6.8	2500	5600
SCW 35	2.200	35	90	68	155	34	54	18	18	70	120	10	M 8	6.8	2700	6400
SCW 40	3.200	40	102	78	180	40	62	20	25	80	150	11	M 10	8.6	3500	8200
SCW 50	6.700	50	122	102	230	52	80	25	25	100	200	11	M 10	8.6	6200	16200
SCW 60	8.560	60	132	114	240	58	94	30	25	108	180	12	M 12	10.7	7700	20400

Sigla d'ordine:

SCW - d - UU [tenute in entrambi i lati].

Sigla d'ordine:

SCW - d [senza tenute].

SCW - d - UU AS [tenute in entrambi i lati e foro di lubrificazione]

SCW - d - AS [senza tenute, con foro di lubrificazione]

Esempio:

SCW 20 UU AS [modello SCW, diametro albero 20 mm, tenute in entrambi i lati, foro di lubrificazione].

Specification number:

SCW - d - UU [seals on both sides].

Specification number:

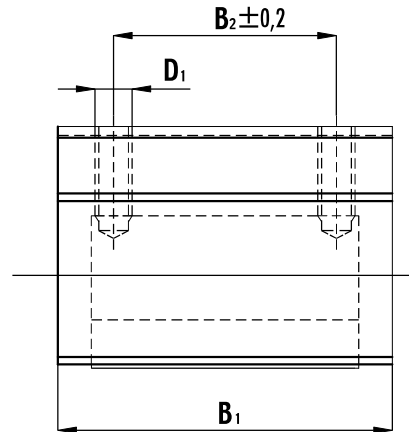
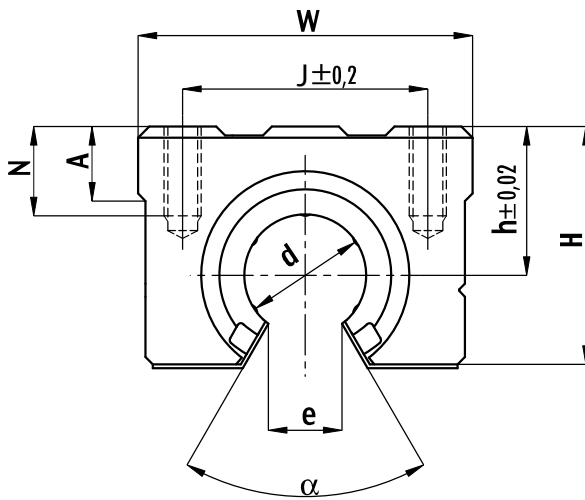
SCW - d [without seals].

SCW - d - UU AS [seals on both sides and oil hole].

SCW - d - AS [without seals, with oil hole].

Example:

SCWv 20 UU AS [model SCW, shaft diameter 20 mm, seals on both sides, with oil hole].

**SBR**


Tipologia Type	Peso Weight [kg]	d [mm]	A [mm]	B <sub>1</sub> [mm]	B <sub>2</sub> [mm]	D <sub>1</sub> [mm]	e [mm]	α	h [mm]	H [mm]	J [mm]	N [mm]	W [mm]	Capacità di Carico Load capacity rating [N]	
														C	C <sub>0</sub>
<b>SBR 16</b>	0.150	16	9	45	30	M 5	10	80°	20	33	32	12	45	590	910
<b>SBR 20</b>	0.200	20	11	50	35	M 6	10	60°	23	39	35	12	48	880	1400
<b>SBR 25</b>	0.450	25	14	65	40	M 6	11.5	50°	27	47	40	12	60	1000	1600
<b>SBR 30</b>	0.630	30	15	70	50	M 8	14	50°	33	56	50	18	70	1600	2800
<b>SBR 40</b>	1.330	40	20	90	65	M 10	19	50°	42	72	65	20	90	2200	4100
<b>SBR 50</b>	3.000	50	25	110	80	M 10	23	50°	53	91	94	20	120	3900	8100

Sigla d'ordine:

SBR - d - UU [tenute in entrambi i lati].

Sigla d'ordine:

SBR - d - UU AS [tenute in entrambi i lati e foro di lubrificazione]

Esempio:

SBR 20 UU AS [modello SBR, diametro albero 20 mm, tenute in entrambi i lati, foro di lubrificazione].

Specification number:

SBR - d - UU [seals on both sides].

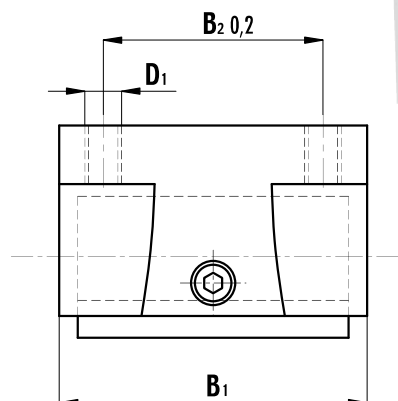
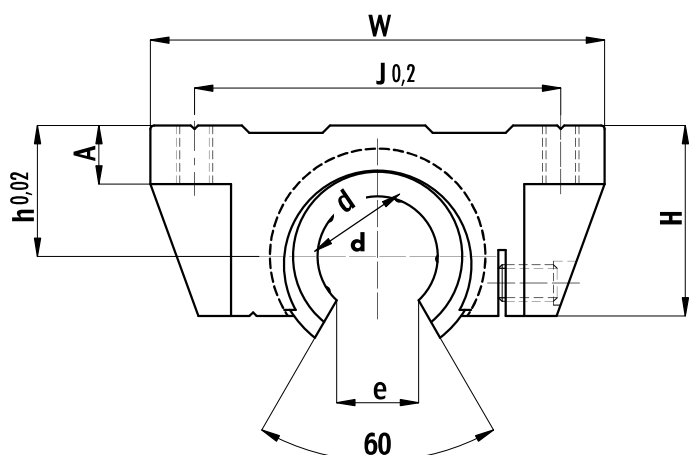
Specification number:

SBR - d - UU AS [seals on both sides and oil hole].

Example:

SBR 20 UU AS [model SBR, shaft diameter 20 mm, seals on both sides, with oil hole].

## TBR



Tipologia Type	Peso Weight [kg]	d [mm]	A [mm]	B <sub>1</sub> [mm]	B <sub>2</sub> [mm]	D <sub>1</sub> [mm]	e [mm]	h [mm]	H [mm]	J [mm]	W [mm]	Capacità di Carico Load capacity rating [N]	
												C	C <sub>0</sub>
<b>TBR 16</b>	0.180	16	8	42	30	M 5	10	18	26	50	62	392	490
<b>TBR 20</b>	0.300	20	10	51	37	M 6	10	21	31.4	54	68	784	1176
<b>TBR 25</b>	0.600	25	12	65	50	M 8	11.5	28	41	65	82	1568	2352
<b>TBR 30</b>	0.900	30	12	75	60	M 8	14	33.5	48	75	91	1764	2940

Sigla d'ordine:

TBR - d - UU [tenute in entrambi i lati].

Sigla d'ordine:

TBR - d - UU AS [tenute in entrambi i lati e foro di lubrificazione]

Esempio:

TBR 20 UU AS [modello TBR, diametro albero 20 mm, tenute in entrambi i lati, foro di lubrificazione].

Specification number:

TBR - d - UU [seals on both sides].

Specification number:

TBR - d - UU AS [seals on both sides and oil hole].

Example:

TBR 20 UU AS [model TBR, shaft diameter 20 mm, seals on both sides, with oil hole].

## 2. SISTEMI COMPLETI

## 2. COMBINED SYSTEMS



I sistemi completi ISB sono composti da:  
supporto scorrevole + albero con supporto albero già  
assemblato

**Si suddividono in:**

- serie non flangiata (SBR-S)
- serie flangiata (TBR-S)

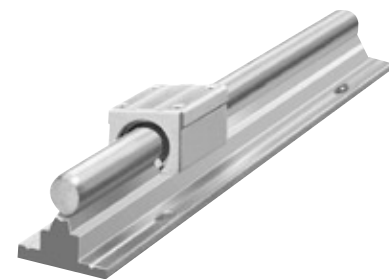
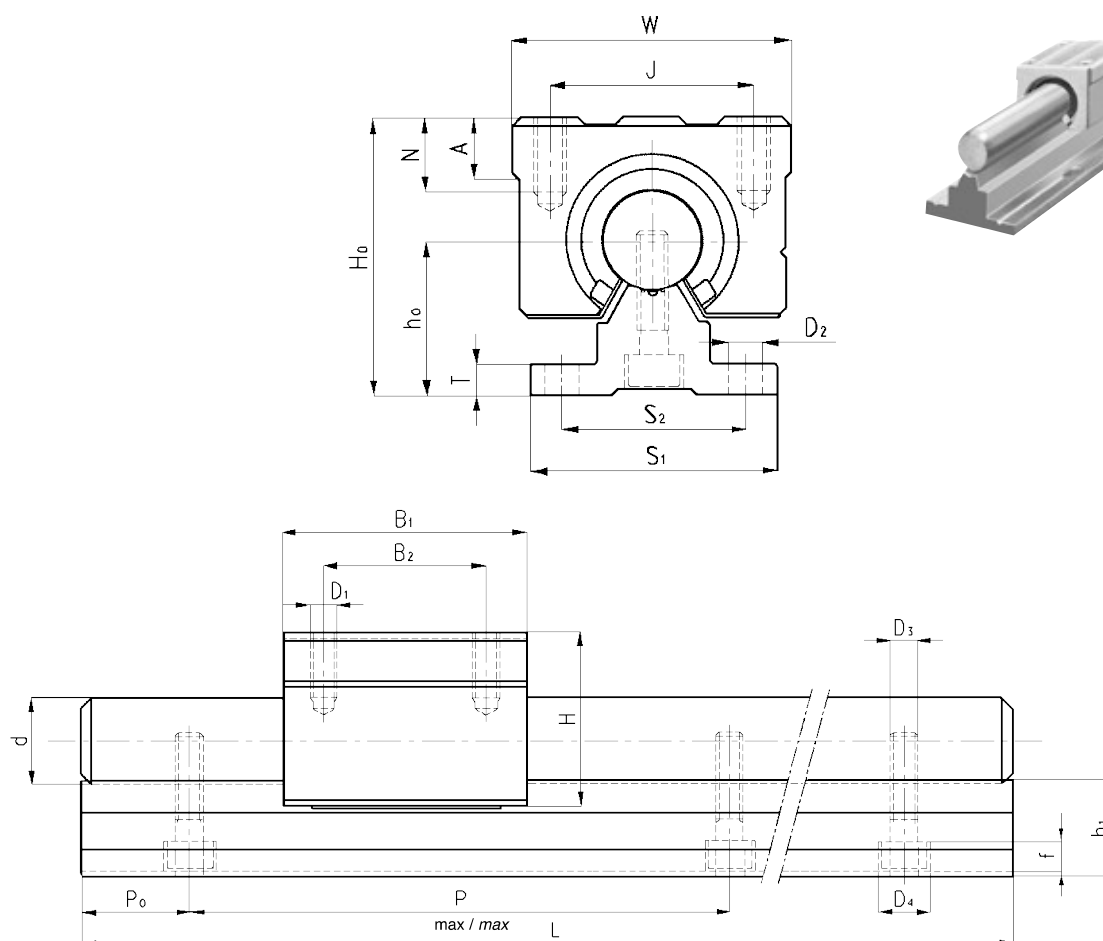
*Combined ISB systems are composed by:  
linear case unit + shaft with shaft support just assembled*

**They are divided into:**

- *not flanged series (SBR-S)*
- *flanged series (TBR-S)*



## SBR-S



Tipologia Type	Supporto Case Unit	d [mm]	A [mm]	B <sub>1</sub> [mm]	B <sub>2</sub> [mm]	D <sub>1</sub> [mm]	D <sub>2</sub> [mm]	D <sub>3</sub> [mm]	D <sub>4</sub> [mm]	f [mm]	h <sub>0</sub> [mm]	h <sub>1</sub> [mm]	H [mm]	H <sub>0</sub> [mm]	J [mm]	N [mm]	S <sub>1</sub> [mm]	S <sub>2</sub> [mm]	T [mm]	W [mm]	P [mm]	L <sub>max</sub> [mm]
<b>SBR 16S</b>	SBR16UU	16	9	45	30	M 5	5.5	5.5	9.5	5.4	25	25	33	45	32	12	40	30	5	45	150	4000
<b>SBR 20S</b>	SBR20UU	20	11	50	35	M 6	5.5	5.5	9.5	5.4	27	27	39	50	35	12	45	30	5	48	150	4000
<b>SBR 25S</b>	SBR25UU	25	14	65	40	M 6	6.6	6.6	11	6.5	33	33	47	60	40	12	55	35	6	60	200	4000
<b>SBR 30S</b>	SBR30UU	30	15	70	50	M 8	6.6	6.6	11	6.5	37	37	56	70	50	18	60	40	7	70	200	4000
<b>SBR 40S</b>	SBR40UU	40	20	90	65	M10	9	9	14	8.6	48	48	72	90	65	20	75	55	9	90	200	4000
<b>SBR 50S</b>	SBR50UU	50	25	110	80	M10	11	11	7.5	10.8	62	62	91	105	94	20	95	70	11	120	200	4000

Misure della lunghezza a richiesta.

Under request different lengths available.

Sigla d'ordine per albero completo di supporto albero già montato:

Specification number for shaft + shaft support just assembled:

SBR - d - S - Longueur L.

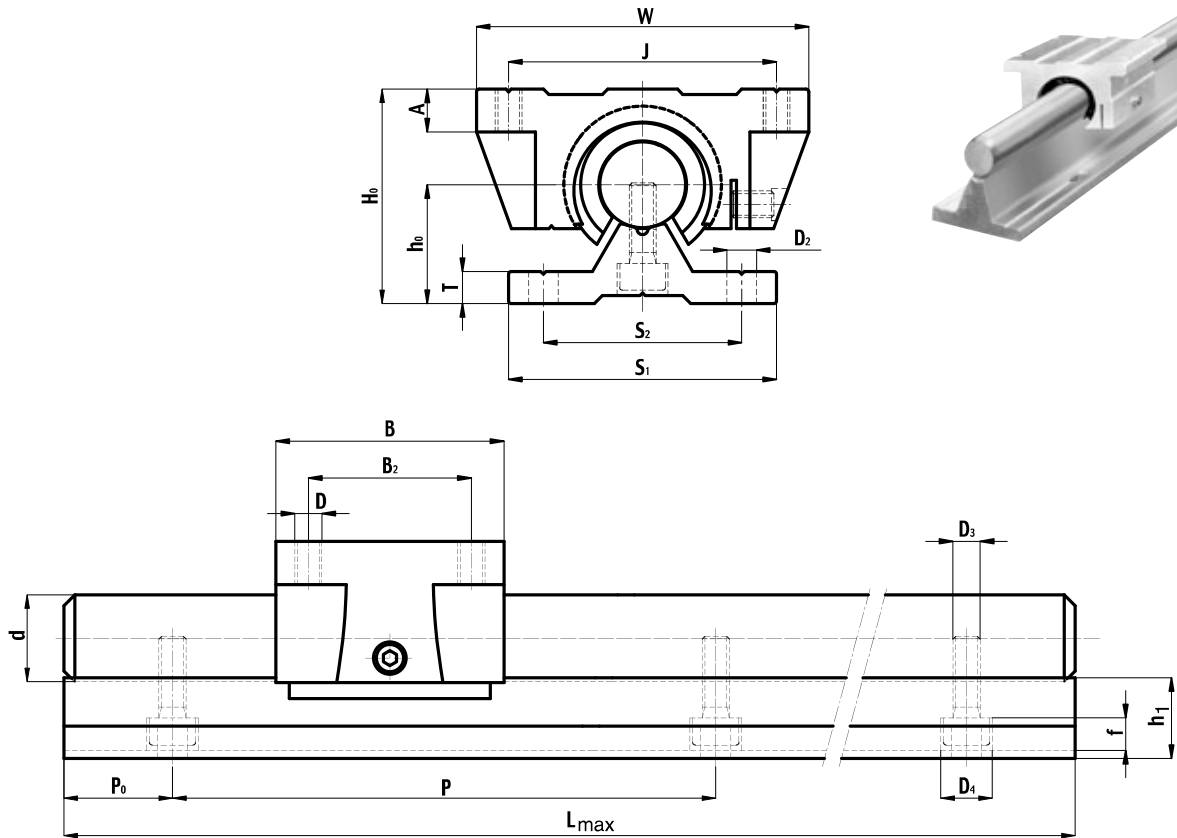
SBR - d - S - Longueur L.

Sigla d'ordine per supporto scorrevole:

Specification number for linear case unit:

SBR - d - UU AS [tenute in entrambi i lati e foro di lubrificazione]

SBR - d - UU AS [seals on both sides and oil hole].

**TBR-S**


Tipologia Type	Supporto Case Unit	d [mm]	A [mm]	B <sub>1</sub> [mm]	B <sub>2</sub> [mm]	D <sub>1</sub> [mm]	D <sub>2</sub> [mm]	D <sub>3</sub> [mm]	D <sub>4</sub> [mm]	f [mm]	h <sub>0</sub> [mm]	h <sub>1</sub> [mm]	H [mm]	H <sub>0</sub> [mm]	J [mm]	S <sub>1</sub> [mm]	S <sub>2</sub> [mm]	T [mm]	W [mm]	P [mm]	L <sub>max</sub> [mm]
<b>TBR 16S</b>	TBR16UU	16	8	42	30	M 5	5.5	5.5	9.5	5.4	22.1	15	26	40	50	50	37	6	62	150	4000
<b>TBR 20S</b>	TBR20UU	20	10	51	37	M 6	5.5	5.5	9.5	5.4	29	19.4	31	50	54	55	40	8	68	150	4000
<b>TBR 25S</b>	TBR25UU	25	12	65	50	M 8	6.6	6.6	11	6.5	32	20.1	41	60	65	65	45	10	82	200	4000
<b>TBR 30S</b>	TBR30UU	30	12	75	60	M 8	6.6	6.6	11	6.5	36.5	22.5	48	70	75	75	55	12	91	200	4000

**Misure della lunghezza a richiesta.**

Sigla d'ordine per albero completo di supporto albero già montato:

TBR - d - S - Longueur L.

Sigla d'ordine per supporto scorrevole:

TBR - d - UU AS [tenute in entrambi i lati e foro di lubrificazione]

**Under request different lengths available.**

Specification number for shaft + shaft support just assembled:

TBR - d - S - Longueur L.

Specification number for linear case unit:

TBR - d - UU AS [seals on both sides and oil hole].

## Note